

HOPEWIND

GREEN C&I SOLUTION

HSNV60/70/ 75K-G01



TIER 1
BloombergNEF

—
Hopewind is ranked as
Tier 1 Solar Inverter Maker by BNEF

FEATURES

Efficient

- 4 MPPTs with Max. efficiency of 98.50%
- 110% AC overloading
- Up to 20 A of MPPT current input to support 210 mm & bifacial PV modules

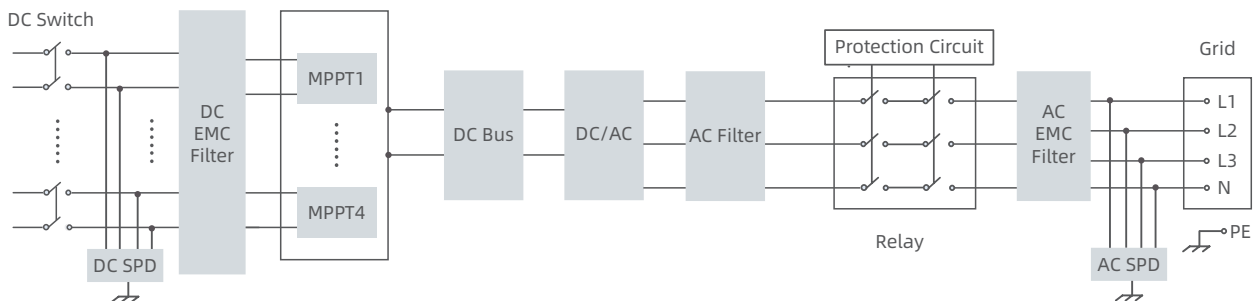
User Friendly

- Built-in zero export function interface
- Supports country grid code preset
- 24/7 monitoring & remote firmware upgrade
- Near-end commissioning via APP

Reliable

- High precisely & intelligent string detection
- Built-in SPD for surge protection & AFCI function
- Wide MPPT voltage range for unstable grid
- Built-in PID recovery module (optional)

TOPOLOGICAL GRAPH



PARAMETERS

| Model | HSNV60K-G01 | HSNV70K-G01 | HSNV75K-G01 |
|--|--|-------------|---------------|
| DC Input | | | |
| Max. Input Voltage | 1100 V | | |
| Starting Voltage | 180 V | | |
| MPPT Voltage Range | 200~1000 V | | |
| Max. Input Current Per MPPT | 45 A / 45 A / 45 A / 45 A | | |
| Max. Short-circuit Current | 60 A / 60 A / 60 A / 60 A | | |
| Number of DC Inputs | 3 / 3 / 3 / 3 | | 4 / 3 / 3 / 4 |
| Number of MPP Trackers | 4 | | |
| AC Output | | | |
| Rated Output Power | 60 kW | 70 kW | 75 kW |
| Max. Output Power | 66 kW | 77 kW | 82.5 kW |
| Rated Output Voltage | 230 V / 400 V (3P + N + PE) | | |
| Operating Voltage Range | 300~520 V | | |
| Rated Output Current | 86.6 A | 101.0 A | 108.3 A |
| Max. Output Current | 95.3 A | 111.1 A | 119.1 A |
| Rated Grid Frequency | 50 Hz / 60 Hz | | |
| Power Factor | >0.99 (0.8 leading~0.8 lagging) | | |
| Harmonic (THDi) | <3% (at rated power) | | |
| Efficiency | | | |
| Max. Efficiency | 98.50% | | |
| European Efficiency | 98.20% | | |
| Protection | | | |
| PV Reverse Polarity Protection | Yes | | |
| Insulation Impedance Detection | Yes | | |
| Residual Leakage Current Detection | Yes | | |
| Output Overcurrent Protection | Yes | | |
| Anti-Islanding Protection | Yes | | |
| DC Surge Protection | Type II | | |
| AC Surge Protection | Type II | | |
| I/V Curve Scanning | Yes | | |
| Zero Export Function | Yes | | |
| PV String Monitoring | Yes | | |
| Arc Fault Circuit Interrupter (AFCI) | Yes | | |
| PID Recovery | Optional | | |
| DC Switch | Yes | | |
| General Parameters | | | |
| Dimensions (W × H × D) | 705 × 650 × 285 mm | | |
| Weight | ≤80 kg | | |
| Ingress Protection | IP65 | | |
| Operating Temperature Range | -40~+60°C | | |
| Cooling System | Smart air cooling | | |
| Topology | Transformerless | | |
| Operating Altitude | 4000 m (>3000 m derating) | | |
| Display | LED, WLAN + APP | | |
| Communication | RS485 / Wi-Fi | | |
| DC Connection Type | MC4 | | |
| AC Connection Type | OT / DT terminal | | |
| Standard Compliance (More Available Upon Request) | | | |
| Certification | IEC 62109, IEC 61000, IEC 61727, IEC 62116, IEC 60068, IEC 61683, EN 50549-1, EN 50549-2, VDE 4105, VDE 4110, VDE 4120 | | |

